

# BUNN®

## 3, 3.5, 4, 5 Gallon Cylinder Style Iced Tea/Coffee Dispensers

ITEM#

PROJECT

DATE

### Features

#### Iced Tea/Coffee Dispensers

- Dispensers available in 3, 3.5, 4, and 5 gallon (11.4, 13.2, 15.1 and 18.9 litres) capacities.
- Sump dispense valve assures complete dispensing of tea.
- TDS-3, TDS-3.5 and TDS-5 models have stainless lid.
- TDO-4 and TDO-5 models have plastic lid and oval shape.
- Faucet handles are labeled sweetened and unsweetened. Handles are mounted offset for closer side-by-side positioning.\*

\* Some TDS-3 and TDS-5 models in stock may not have these features.



#### TDS-3

Dimensions:  
19"H x 9.8"W x 12.8"D  
(48.3cm H x 24.9cm W x 32.5cm D)



#### TDS-3.5

Dimensions:  
20.4"H x 9.8"W x 12.8"D  
(51.8cm H x 24.9cm W x 32.5cm D)



#### TDS-5

Dimensions:  
25.6"H x 9.8"W x 14.8"D  
(65cm H x 37.8cm W x 37.6cm D)



#### TDO-4

Dimensions:  
19"H x 10.7"W x 13.7"D  
(48.3cm H x 27.2cm W x 34.8cm D)



#### TDO-5

Dimensions:  
22"H x 10.7"W x 13.7"D  
(55.9cm H x 27.2cm W x 34.8cm D)

For current specification sheets and other information, go to [www.bunn.com](http://www.bunn.com).

### Related Products

#### ICD-3 Iced Coffee Dispenser

Product No. : 33000.0002

Dimensions: 20.6"H x 9.8"W x 14"D  
52.3cm H x 37.8cm W x 35.6cm D



#### TDO Brew-Through Lid

Product No. : 34093.0001



#### TDO Lid Retainer

Product No. : 35136.0001

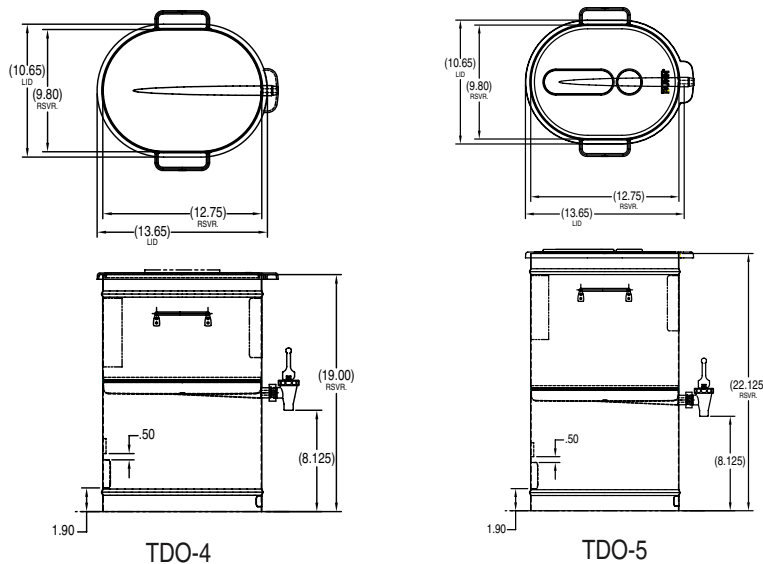
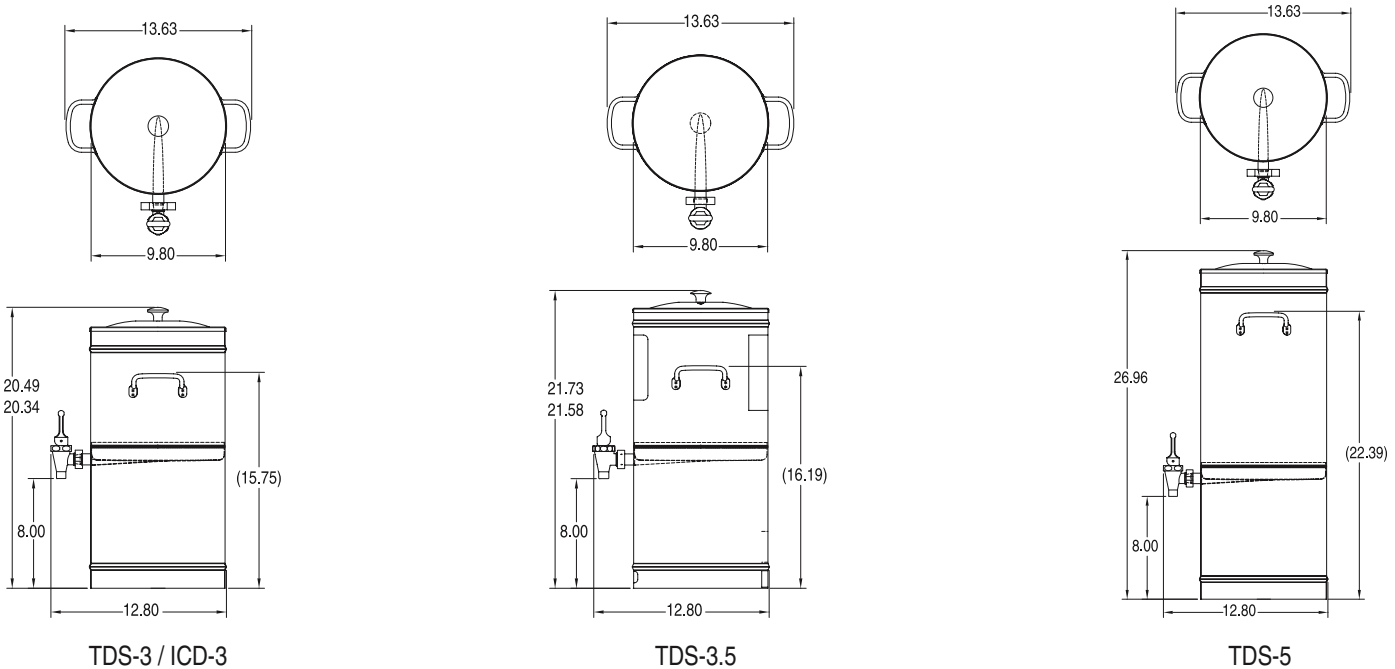
Dimensions: 5.25"H x 11"W x 10.2"D  
13.3cm H x 27.9cm W x 10.2cm D



Model	Agency Listing
TDS-3	NSF
TDS-3.5	NSF
TDS-5	NSF
ICD-3	NSF
TDO-4	NSF
TDO-5	NSF

## Dimensions & Specifications

Model	Product #	Capacity	Handles	Cubic Measure	Shipping Weight
TDS-3	33000.0000	3 Gallons	Side	2.2 ft <sup>3</sup>	9.4 lbs.
TDS-3.5	33000.0008	3.5 Gallons	Side	2.6 ft <sup>3</sup>	10 lbs.
TDS-5	33000.0001	5 Gallons	Side	2.9 ft <sup>3</sup>	12 lbs.
ICD-3	33000.0002	3 Gallons	Side	2.2 ft <sup>3</sup>	10 lbs.
TDO-4 (solid lid)	34100.0000	4 Gallons	Side	2.1 ft <sup>3</sup>	12 lbs.
TDO-4 (brew-through lid)	34100.0002	4 Gallons	Side	2.1 ft <sup>3</sup>	12 lbs.
TDO-5 (solid lid)	34100.0001	5 Gallons	Side	2.4 ft <sup>3</sup>	14 lbs.
TDO-5 (brew-through lid)	34100.0003	5 Gallons	Side	2.4 ft <sup>3</sup>	14 lbs.



BUNN Corporation - 1400 Stevenson Drive Springfield, Illinois 62703 • 800-637-8606 • 217-529-6601 • Fax 217-529-6644 • www.bunn.com

BUNN® practices continuous product research and improvement. We reserve the right to change specifications and product design without notice. Such revisions do not entitle the buyer to corresponding changes, improvements, additions or replacements for previously purchased equipment.

All dimensions shown in inches. Bunn Corporation owns all copyrights relating to materials in this publication. Please contact Bunn Corporation to request permission to reproduce any portion of this publication.