

## Thermal Servers

### Features



#### Thermal Server

Dimensions: 19.6" H x 7.9" W x 8.7" D  
(49.8cm H x 20.1cm W x 22.1cm D)

#### Thermal Servers

- An appealing, easy-to-use self-service coffee system.
- Convenient for keeping coffee hot and fresh for hours.
- Easily transported to remote locations.
- Depending on base, server can hold up to 6½" cup.

For current specification sheets and other information, go to [www.bunn.com](http://www.bunn.com).

### Related Products

Shown with optional  
**Safety-Fresh® Lid**  
Order Lid Kit No. →  
22964.0000

**Thermal Server Raised**  
Product No. : 23300.0009  
Capacity: 84 oz. (2.5 l)  
Accepts up to 20 oz. cup  
Dimensions:  
21.8" H x 7.9" W x 8.9" D

**Flavor ID Display Clip**  
Product No. : 18008.7000



**TS—Thermal Server with no base**  
Product No. : 23300.0010  
Capacity: 2.5 liters  
Shipping Weight: 5 lbs.  
Dimensions: 14.4" H x 7" W x 8.1" D



**Thermal Server Booster\***  
Product No. : 18010.6000  
Capacity: 1 Thermal Server  
Shipping Weight: 2 lbs.  
Dimensions: 6" H x 9.25" W x 8.25" D



\*To be used in conjunction with Thermal Server without base.  
Product No. : 23300.0010 & 23300.0006

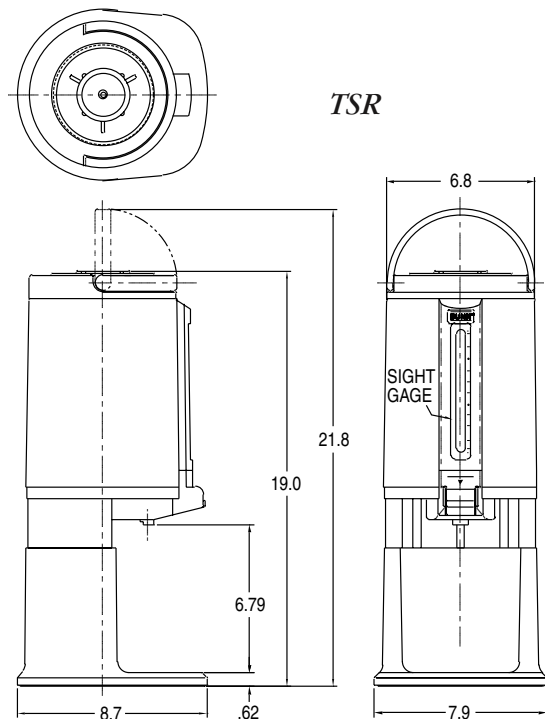
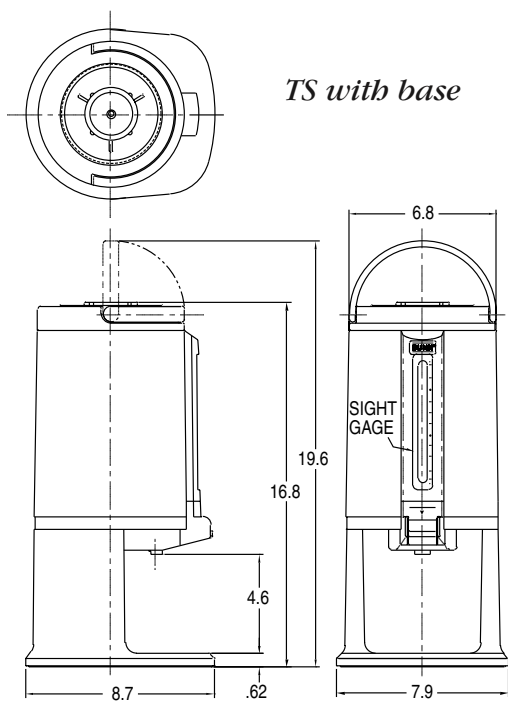
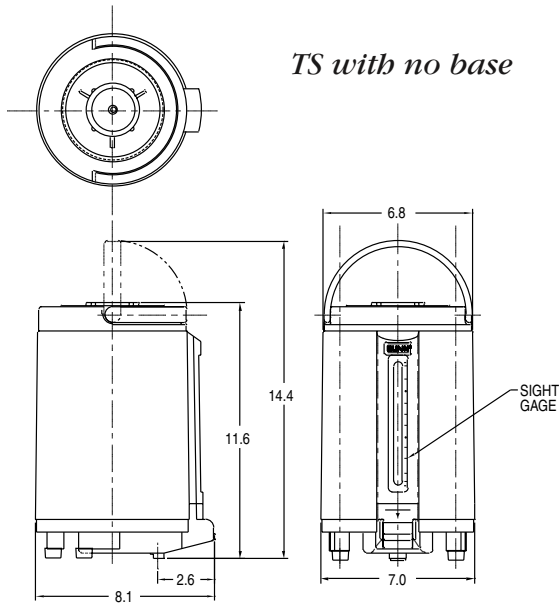
#### Model

#### Agency Listing

TS  
TSR (raised)  
TS (with no base)

## Dimensions & Specifications

Model	Product #	Capacity	Quantity	Cu. Ft.	Shipping Weight
TS	23300.0007	84 oz.	single unit	.9	6 lbs.
TS	23300.0005	84 oz.	6/case	4.7	33 lbs.
TSR (Raised)	23300.0009	84 oz.	single unit	1.0	6 lbs.
TS (no base)	23300.0010	84 oz.	single unit	.6	4 lbs.
TS (no base)	23300.0006	84 oz.	6/case	2.9	25 lbs.
BUNN Safety-Fresh Lid (Kit)	22964.0000	—	single unit	.1	1 lb.



BUNN Corporation - 1400 Stevenson Drive Springfield, Illinois 62703 • 800-637-8606 • 217-529-6601 • Fax 217-529-6644 • www.bunn.com

BUNN® practices continuous product research and improvement. We reserve the right to change specifications and product design without notice. Such revisions do not entitle the buyer to corresponding changes, improvements, additions or replacements for previously purchased equipment.

All dimensions shown in inches. Bunn Corporation owns all copyrights relating to materials in this publication. Please contact Bunn Corporation to request permission to reproduce any portion of this publication.