

Single Brewer with Portable Server

ITEM#

PROJECT

DATE



**Model Single®
with 1.5GPR server***

Dimensions: 29.3" H x 9.25" W x 19" D
(74.4cm H x 54.9cm W x 48.3cm D)

Features

Single Coffee Brewer

- Brews 5.1 to 11.4 gallons (19.3 to 43.2 litres) of perfect coffee per hour.
- Brews ½, 1, or 1½ gallon (1.9, 3.8 and 5.7 litre) batches.
- Adjustable bypass ensures perfect coffee regardless of batch size.
- Hot water faucet does not affect brew level.
- Electronic timer ensures fast set up and accurate brew levels.
- Electronic grinder interface instructs grinder on exact amount of coffee for selected brew batch size.
- 1.5GPR portable server (included) has a patented Safety-Fresh® brew-through lid with vapor seal and spill protection.
- SplashGard® funnel deflects hot liquids away from the hand.
- International electrical configurations available.

For current specification sheets and other information, go to www.bunn.com.

* International models may vary in appearance.

Related Products

Easy Clear® EQ-11-TL

Product No. : 30344.1001

Dimensions:

15⁷/₈" H x 3⁵/₈" W x 4¹⁷/₃₂" D

40.32 cm H x 9.21 cm W x 11.51 cm D

Easy Clear® ED-11-TL

Product No. : 30244.1001

Dimensions:

14³/₁₆" H x 5¹/₁₆" W x 5¹/₁₆" D

31.0 cm H x 12.86 cm W x 12.86 cm D



Single/Dual Filter Pack

Product No. : 20138.0000

Packed per case: 500

Dimensions: 5¹/₄" Base x 4¹/₄" Sidewall

13.3 cm Base x 10.8 cm Sidewall



1.5GPR Safety-Fresh® portable server with
bail handles & RWS1 warming stand.

1.5GPR

Product No. : 20950.0002

Dimensions: 10¹/₄" H x 6³/₄" W x 12⁵/₈" D

26.0 cm H x 17.2 cm W x 32.1 cm D

Depth=10¹/₄" w/o guard

26.0 cm w/o guard

Depth=12³/₄" with guard

32.38 cm w/ guard

Width=7³/₄" without handle

19.68 cm w/o handle

Width=7⁵/₈" with handle

19.37 cm w/ handle



RWS1 Product No. :12203.0010

Dimensions: 7¹/₂" H x 8¹/₄" W x 9¹/₃" D

19.05 cm H x 20.96 cm W x 23.62 cm D

Model

Single

Agency Listing



Dimensions & Specifications

Model	Product #	Volts	Amps	Tank Heater Watts	Total Watts	Thermostat	Brewing Capacity	Cu. Ft.	Shipping Weight	Cord Attached
Single ^{†*}	23050.0006	120	17.5	1800	2100	Mechanical	5.1 gal./hr.	6.8	57 lbs.	No
Single ^{**}	23050.0007	120	17.8	1800	2130	Mechanical	5.1 gal./hr.	6.8	58 lbs.	No
Single ^{**††}	23050.0010	120/208	20	3700	4100	Mechanical	10.6 gal./hr.	6.8	58 lbs.	No
Single ^{**}	23050.0011	120/240	19	4000	4300	Mechanical	11.4 gal./hr.	6.8	59 lbs.	No

All include Safety-Fresh® server with additional orange faucet handle and decal for decaf service.

[†] Plastic funnel. ^{*} One setting. ^{**} Three settings. ^{††} Convenience rear receptacle not provided.

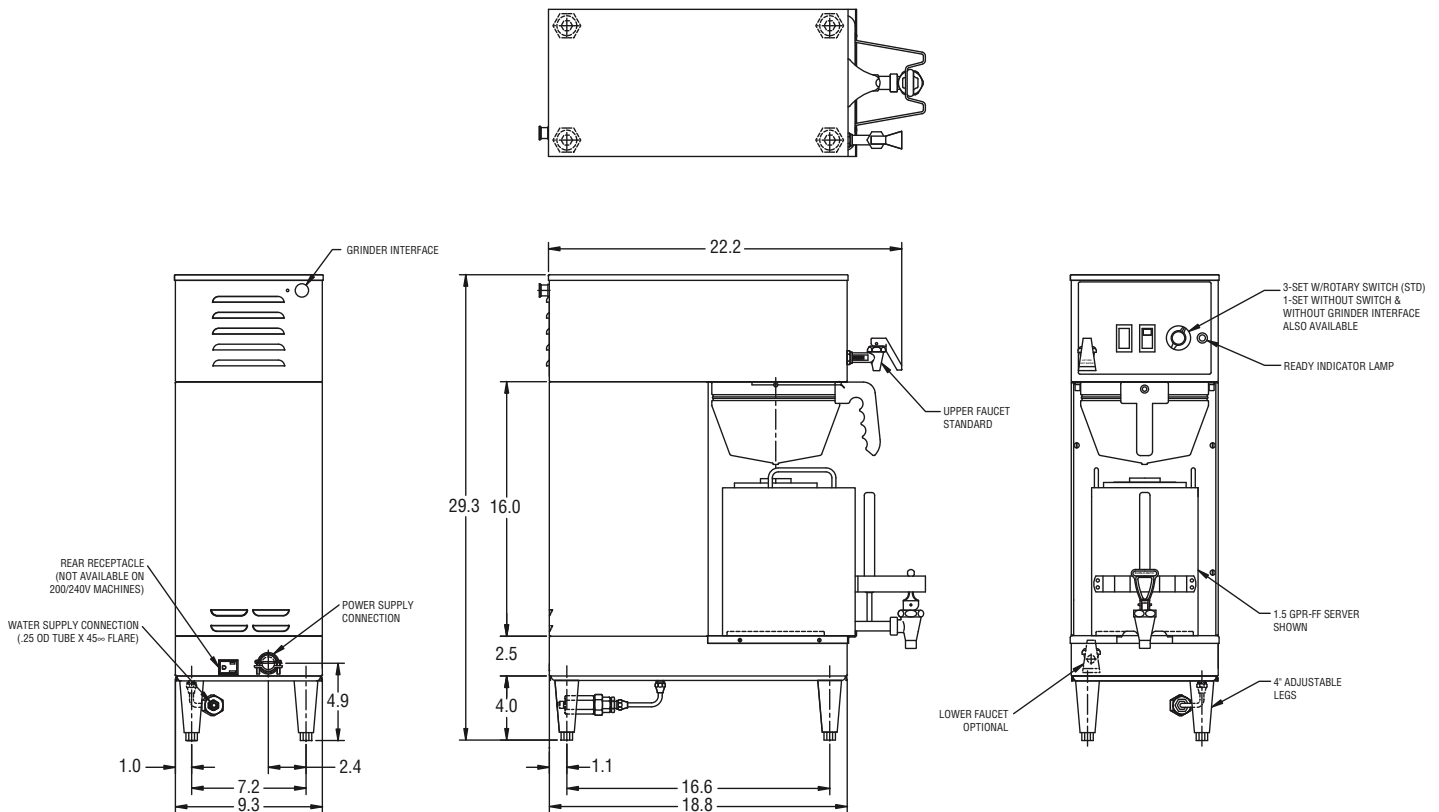
Brewing capacity: based upon incoming water temp of 60°F (140°F rise).

Models listed as 120/208V or 120/240V must be connected to 208V or 240V electrical service respectively. Please refer to the installation manual.

Electrical: 120V models require 2-wires plus ground service rated 120V, single phase, 60 Hz.

120/208V or 120/240V models require 3-wires plus ground service rated 120/208V or 120/240V, single phase, 60 Hz.

Plumbing: 20-90 psi (138-621 kPa). Supplied with ¼" (6.4 mm) male flare fittings.



BUNN Corporation - 1400 Stevenson Drive Springfield, Illinois 62703 • 800-637-8606 • 217-529-6601 • Fax 217-529-6644 • www.bunn.com

BUNN® practices continuous product research and improvement. We reserve the right to change specifications and product design without notice. Such revisions do not entitle the buyer to corresponding changes, improvements, additions or replacements for previously purchased equipment.

All dimensions shown in inches. Bunn Corporation owns all copyrights relating to materials in this publication. Please contact Bunn Corporation to request permission to reproduce any portion of this publication.